

AV-263 Cast Iron Pilot Operated Pressure Reducing Valve, Flanged Ends

Features

Body Material Cum Standard	Cast Iron (IBR 86 to 93 Gr. A)
Product Description	Pilot Operated, Outlet Pressure Range available 5/45, 40/100, 90/125 Psig
Type of Seat	Renewable Seat
Trim	13% Cr. (SS 410) + Stellite Facing
End Details	Flanged Ends as per BS-10 Table-F Flat Face (Undrilled)
Test Pressure	Body: 300 Psig (Hyd.)
Max. Working Pressure	150 Psig (Steam)
Max. Working Temperature	220°C

Notes

Test Certificate in Form III-C as per IBR is furnished with every supply.

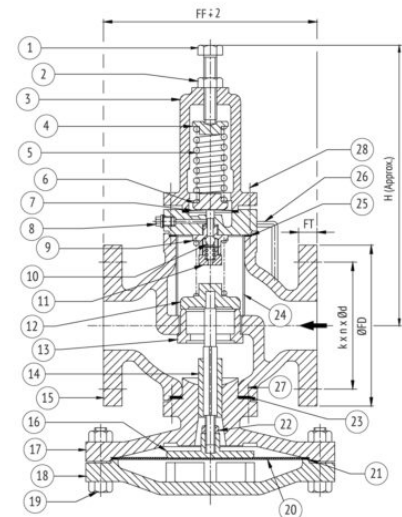
Suitability

Steam



Material Combination

S.No	Description	No.	Material
1,2	Adjusting Screw, Locking Nut	1	Carbon Steel
3	Spring Housing	1	S.G.I.
4, 6	Spring Top Disc, Spring Bottom Disc	1	Stainless Steel
5, 7	Pressure Adjusting Spring, Diaphragm	1	Stainless Steel
8	Side Plug	1	Stainless Steel
9, 10	Pilot Valve Body, Ball	1	Stainless Steel
11	Pilot Valve Spring Retaining Check Nut	1	Stainless Steel
12, 13	Main Valve Disc, Body Seat Ring	1	Stainless Steel
14	Push Rod Guide Sleeve	1	Stainless Steel
15	Main Valve Body	1	Cast Iron
16	Main Diaphragm Disc	1	G.M. / S.S.
17, 18	Half Upper Cover, Half Lower Cover	1	Cast Iron
19	Bolts & Nuts	To Suit	Carbon Steel
20	Diaphragm	1	Stainless Steel
21, 23	Gasket	1	C.A.F.
22	Push Rod Lock Nut	1	Stainless Steel
24	Strainer Screen	1	Stainless Steel
25	Gasket	1	C.A.F.
26	By Pass Assy.	-	-
27, 28	Studs & Nuts	To Suit	Carbon Steel



Dimensional Data

Size (mm)	FF	H	ØFD	FT	k	n	Ød
25	165	215	120.7	12.7	87.3	4	17.5
40	203	245	139.7	15.9	104.8	4	17.5
50	248	295	165.1	19.1	127	4	17.5