

AV-31 Bronze Sight Flow Indicator, Screwed Ends

Features

Body Material Cum Standard	Bronze (BS EN 1982 Gr. CC491K)
Product Description	Single Window with Toughened Glass
End Details	Screwed Female BSP Parallel Threads (BS-21)
Test Pressure	Body: 300 Psig (Hyd.)
Max. Working Pressure	150 Psig (Hyd.)

Notes

Other screwed end specifications can be provided on request.

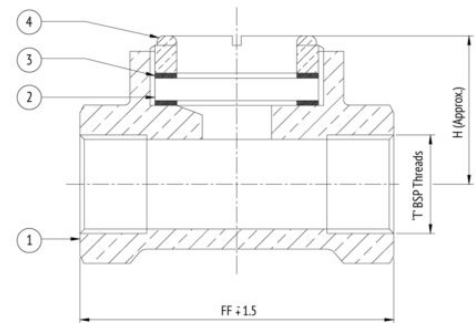
Suitability

Water, Oil



Material Combination

S.No	Description	No.	Material
1	Body	1	Bronze
2	Window	1	Glass
3	Gasket	2	C.A.F.
4	Cover	1	Bronze



Dimensional Data

Size (mm)	FF	T	H
15	88	1/2"	28
20	92	3/4"	32
25	106	1"	33
32	110	1.1/4"	42
40	111	1.1/2"	42
50	115	2"	52