

## AV-60 Bronze Plug Cock (Main Cock), Flanged Ends

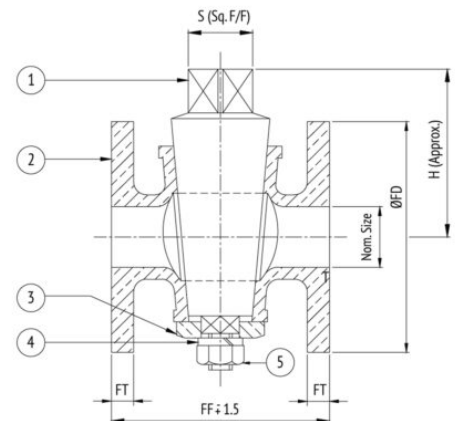
### Features

|                            |   |
|----------------------------|---|
| Type of Pattern            | Straight Pattern                              |
| Body Material Cum Standard | Bronze (BS EN 1982 Gr. CC491K)                |
| Product Description        | Fitted with Taper Plug in a Taper Seated Body |
| End Details                | Flanged Ends to BS-10 Table-D (Undrilled)     |
| Test Pressure              | Body: 300 Psig (Hyd.), Seat: 150 Psig (Hyd.)  |
| <b>Suitability</b>         |   |
| Water, Oil                 |   |



### Material Combination

| S.No | Description   | No. | Material     |
|------|---------------|-----|--------------|
| 1    | Plug          | 1   | Bronze       |
| 2    | Body          | 1   | Bronze       |
| 3    | Washer        | 1   | Bronze       |
| 4    | Spring Washer | 1   | Spring Steel |
| 5    | Nut           | 1   | M.S.         |



### Dimensional Data

| Size (mm) | FF  | H   | S  | ØFD   | FT   |
|-----------|-----|-----|----|-------|------|
| 15        | 58  | 75  | 13 | 95.3  | 6.4  |
| 20        | 60  | 75  | 17 | 101.6 | 6.4  |
| 25        | 77  | 84  | 18 | 114.3 | 7.9  |
| 32        | 84  | 92  | 23 | 120.7 | 7.9  |
| 40        | 97  | 95  | 25 | 133.4 | 9.5  |
| 50        | 108 | 105 | 27 | 152.4 | 9.5  |
| 65        | 163 | 155 | 32 | 165.1 | 11.1 |
| 80        | 189 | 165 | 33 | 184.2 | 12.7 |
| 100       | 259 | 184 | 48 | 215.9 | 15.9 |