

AV-86 Bronze Foot Valve, Screwed Ends, PN-20

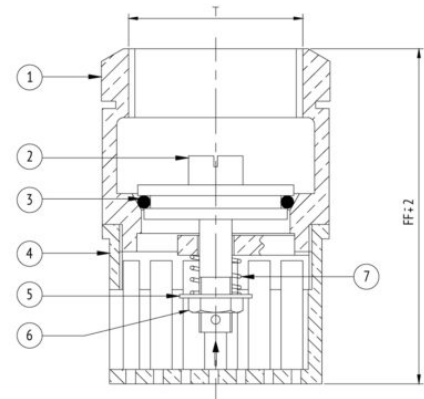
Features

Testing Standard	BS EN 12266-Part 1
Pressure / Class Rating	PN-20
Body Material Cum Standard	Bronze (BS EN 1982 Gr. CC491K)
Product Description	Spring Loaded, Vertical Lift Type with Metallic Strainer
Type of Seat	Integral Seat
Trim	Cu-Alloy with Rubber O-Ring Seated
End Details	Screwed Female BSP Parallel Threads (BS-21)
Test Pressure	Body: 435 Psig (Hyd.), Seat: 320 Psig (Hyd.)
Suitability	
Water	



Material Combination

S.No	Description	No.	Material
1	Body	1	Bronze
2	Disc	1	Bronze
3	O-Ring	1	Synthetic Rubber
4	Strainer	1	Bronze
5	Washer	1	Brass
6	Lock Nut	-	Brass
7	Spring	1	Stainless Steel



Dimensional Data

Size (mm)	FF	T
15	68	1/2"
20	68	3/4"
25	73	1"
32	83	1.1/4"
40	88	1.1/2"
50	92	2"
65	108	2.1/2"
80	114	3"
100	137	4"
125	160	5"
150	199	6"