

AV-97 S.G. Iron Flap Non Return Valve, PN-16

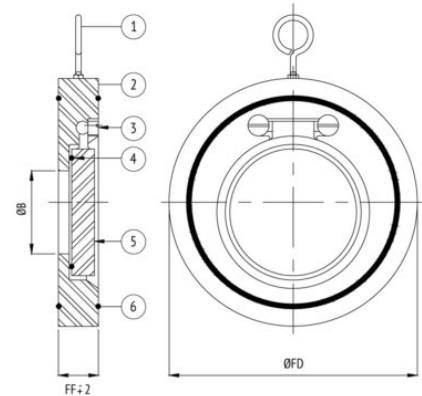
Features

Testing Standard	BS EN 12266-Part 1
Pressure / Class Rating	PN-16
Body Material Cum Standard	S.G Iron (EN 1563 Gr. GJS-400-15)
Product Description	Flap Type with Swing Disc
Type of Seat	Renewable Seat
Trim	Seat: NBR Rubber O-Ring, Disc: S.G Iron
End Details	Suitable for insertion between Flanges as per ANSI B16.1 Class-125 DIN ND-10 & BS-10 Table-E
Test Pressure	Body: 300 Psig (Hyd.), Seat: 200 Psig (Hyd.)
Suitability	
Water	



Material Combination

S.No	Description	No.	Material
1	Hook	1	Carbon Steel
2	Body	1	S.G. Iron
3	Screw	2	Carbon Steel
4	O-Ring	2	Nitrile Rubber
5	Disc	1	S.G. Iron
6	O-Ring	2	EPDM (Integrally Moulded)



Dimensional Data

Size (mm)	FF	ØFD	ØB
40	19	86	23
50	19	97	30
65	19	110	40
80	19	130	50
100	19	160	70
125	19	192	92
150	19	216	112
200	28	273	157
250	28	330	195
300	38	385	230