

AV-278A Cast Carbon Steel Parallel Slide Blow Off Valve, Flanged Ends, Class-300

Features

Body Material Cum Standard	Cast Carbon Steel (ASTM A216 Gr. WCB)
Product Description	Rack & Pinion Operated, Supplied with Operating Key
Type of Seat	Renewable Seat
Type of Disc	Renewable Disc
Trim	13% Cr. (SS 410) + Stellite Facing
End Details	Flanged Ends as per ASME B16.5 Class-300 Raised Face (Drilled)
Test Pressure	Body: 700 Psig (Hyd.)
Max. Working Pressure	350 Psig (Steam)
Max. Working Temperature	400°C

Notes

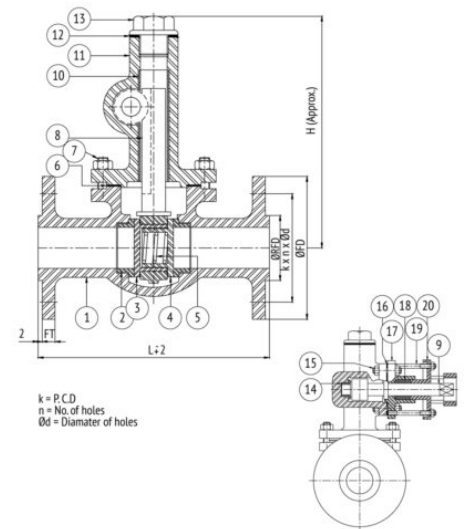
Test Certificate in Form III-C as per IBR is furnished with every supply.

Suitability

Water, Steam

Material Combination

S.No	Description	No.	Material
1	Body	1	C.C.S
2	Body Seat Ring	2	Stainless Steel
3, 4	Female Disc, Male Disc	1	Stainless Steel
5	Spring	1	Carbon Steel
6	Gasket	1	SP, WD, SS 304 with Graphoil Filler
7, 15	Studs & Nuts	To Suit	Carbon Steel
8	Rack	1	S.S. / C.A.S.
9	Pinion	1	S.S. / C.A.S.
10, 14	Bush	1	Bronze
11	Bonnet	1	C.C.S.
12, 16	Gasket	1	Non Asbestos
13	Plug	1	Stainless Steel
17	Stuffing Box	1	C.C.S.
18	Gland Packing	-	Graphoil
19	Studs & Nuts	2 Each	Carbon Steel
20	Gland Flange	1	C.C.S.



Dimensional Data

Size (mm)	L	H	ØD	FT	ØK	n	Ød	ØRFD
25	203	225	125	15.9	88.9	4	19.1	50.8
32	242	260	135	17.5	98.4	4	19.1	63.5
40	267	280	155	19.1	114.3	4	22.3	73
50	305	312	165	20.7	127	8	19.1	92.1
65	330	320	190	23.9	149.2	8	22.3	104.8