

IC-14 Investment Casting Stainless Steel (CF8) Y-Type Strainer, Screwed Ends, PN-20

Features

Pressure / Class Rating	PN-20
Body Material Cum Standard	Cast Stainless Steel (ASTM A351 Gr. CF8)
Product Description	Y-Type with Drain Plug
Trim	Screen: Stainless Steel (Type 304)
End Details	Screwed Female BSP Parallel Threads (BS-21)
Test Pressure	Body: 435 Psig (Hyd.)
Application Medium	Food Processing

Notes

Also available in CF8M (SS 316)
Other screwed end specifications can be provided on request.

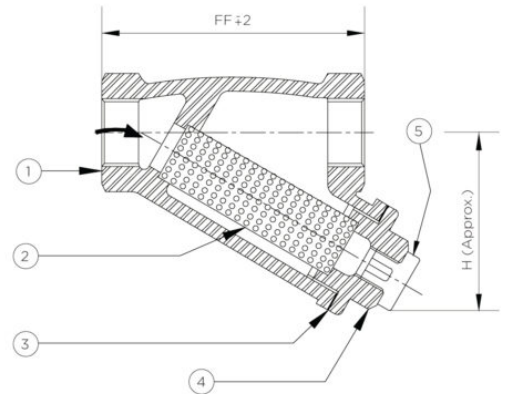
Suitability

Water, Steam, Oil



Material Combination

S.No	Description	No.	Material
1	Body	1	Cast Stainless Steel
2	Screen	1	Stainless Steel
3	Gasket	1	PTFE
4	Cover	1	Cast Stainless Steel
5	Drain Plug	1	Cast Stainless Steel



Dimensional Data

Size (mm)	Size (inches)	FF	H
15	1/2"	76	53
20	3/4"	80	53
25	1"	95	65
32	1.1/4"	110	70
40	1.1/2"	130	78
50	2"	150	98