

AV-92 Bronze Globe Valve, Mixed Ends

Features

<p>Body Material Cum Standard Product Description</p> <p>Type of Seat</p> <p>Type of Disc</p> <p>Trim</p> <p>End Details</p> <p>Test Pressure</p>	<p>Bronze (BS EN 1982 Gr. CC491K)</p> <p>Screwed in Bonnet, Inside Screw, Rising Stem, Handwheel Operated with Open Shut Indicator & Pad Locking Arrangements</p> <p>Integral Seat</p> <p>Renewable Disc</p> <p>Cu-Alloy with PTFE / Teflon Seated</p> <p>Inlet Flange End to BS-10 Table-D & Other Side Screwed Female BSP Parallel Threads (BS-21)</p> <p>Body: 300 Psig (Hyd.), Seat: 200 Psig (Hyd.)</p>
---	--

Notes

These valves are suitable for transformers.

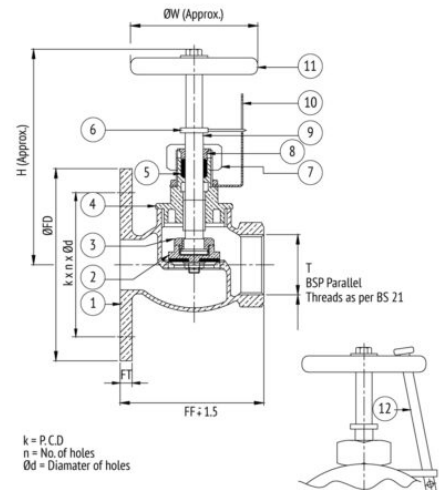
Suitability

Water, Oil



Material Combination

S.No	Description	No.	Material
1	Body	1	Bronze
2	Disc	1	Bronze (PTFE Seated)
3	Disc Nut	1	Bronze
4	Bonnet	1	Bronze
5	Gland Packing	-	Asbestos
6	Indicator	1	Bronze
7	Gland Nut	1	Bronze / Brass
8	Gland	1	Bronze / Brass
9	Stem	1	H.T. Brass
10	Indicator Plate	1	Brass Sheet
11	Handwheel	1	Aluminium
12	Locking Rod	1	Carbon Steel



Dimensional Data

Size (mm)	FF	H	ØW	ØFD	FT	T	k	n	Ød
15	54	99	50	95	6.4	1/2"	66	4	14
20	71	100	60	101.6	6.4	3/4"	73	4	14
25	77	122	65	115	7.9	1"	82.6	4	14
32	87	130	77	120.7	7.9	1.1/4"	94	4	14
40	91	140	85	133.4	9.5	1.1/2"	98.4	4	14
50	107	160	98	150	9.5	2"	115	4	17