

AV-96D Cast Iron Butterfly Valve, PN-16

Features

Product Standard	IS-13095
Testing Standard	IS-13095
Pressure / Class Rating	PN-16
Body Material Cum Standard	Cast Iron (IS 210 Gr. FG200)
Product Description	Wafer Type, without Lugs
Type of Seat	Integrally Moulded Liner
Trim	EPDM Liner, Disc: S.G Iron, Stem: 13% Cr. (SS 410)
End Details	Suitable for insertion between Flanges as per ANSI B16.1 Class-125 DIN ND-10 & BS-10 Table-E
Test Pressure	Body: 350 Psig (Hyd.), Seat: 255 Psig (Hyd.)
Max. Working Temperature	80°C

Notes

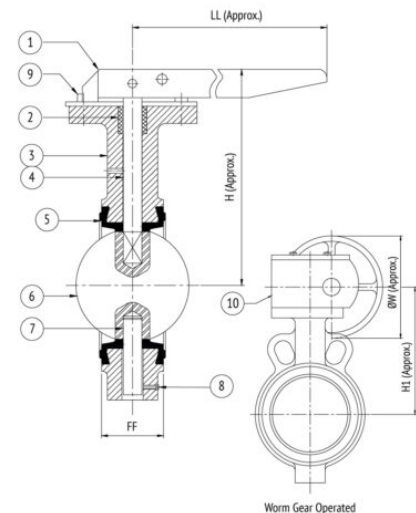
Face-to-Face dimensions are from the metal surface.
Valves Sizes 8" & above are available with Gear Arrangement.

Suitability

Water, Air

Material Combination

S.No	Description	No.	Material
1	Lever Assembly	1	D.I.
2	Packing Ring	1	PTFE
3	Body	1	C.I.
4	Upper Stem	1	Stainless Steel
5	Body Liner	2	EPDM (Integrally Moulded)
6	Disc	1	S.G. Iron
7	Lower Stem	1	Stainless Steel
8	L-Key Screw	1	Carbon Steel
9	L-Key Screw	2	Carbon Steel
10	Gear Box	1	C.I.



Dimensional Data

Size (mm)	FF	LL	H	H1	ØW
40	33	208	128	-	-
50	43	208	140	-	-
65	46	208	155	-	-
80	46	257	165	-	-
100	52	257	180	-	-
125	56	257	200	-	-
150	56	257	210	-	-
200	60	-	-	305	200
250	68	-	-	350	200
300	78	-	-	400	200