

## AV-110 Bronze Gate Valve, Screwed Ends, Class-2

### Features

Product Standard	IS-778
Testing Standard	IS-778
Pressure / Class Rating	Class-2
Body Material Cum Standard	Bronze (IS 318 Gr. LTB2)
Product Description	Screwed in Bonnet, Inside Screw, Rising Stem, Handwheel Operated
Type of Seat	Integral Seat
Type of Wedge	Solid Wedge
Trim	Cu-Alloy
End Details	Screwed Female Parallel Threads (IS:554)
Test Pressure	Body: 2.4 Mpa (Hyd.), Seat: 1.6 Mpa (Hyd.)
Max. Working Temperature	45°C

### Notes

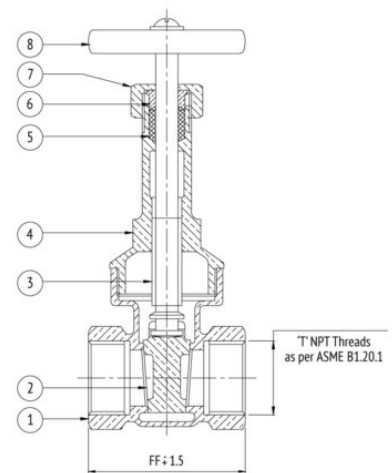
Other screwed end specifications can be provided on request.

### Suitability

Water, Oil

### Material Combination

S.No	Description	No.	Material
1	Body	1	Bronze
2	Wedge	1	Bronze
3	Stem	1	Brass
4	Bonnet	1	Bronze
5	Packing	-	Graphited Asbestos
6	Gland	1	Bronze
7	Gland Nut	1	Bronze
8	Handwheel	1	M.I.



### Dimensional Data

Size (mm)	FF	T
15	60	1/2"
20	60	3/4"
25	70	1"
32	80	1.1/4"
40	90	1.1/2"
50	100	2"
65	105	2.1/2"
80	125	3"
100	160	4"