

FV-506 Bronze Ball Valve with Strainer, Screwed Ends, PN-20

Features

Pressure / Class Rating	PN-20
Body Material Cum Standard	Bronze (BS EN 1982 Gr. CC491K)
Port Opening	Full Bore
Product Description	One Piece Design, Lever Operated (Blow Out Proof Stem)
Type of Seat	Renewable Seat
Trim	Ball & Stem: Stainless Steel (AISI 304), PTFE Seats
End Details	Inlet Screwed Female & Outlet Screwed Male BSP Parallel Threads (BS-21)
Test Pressure	Body: 500 Psig (Hyd.), Seat: 250 Psig (Hyd.), Seat: 100 Psig (Air)

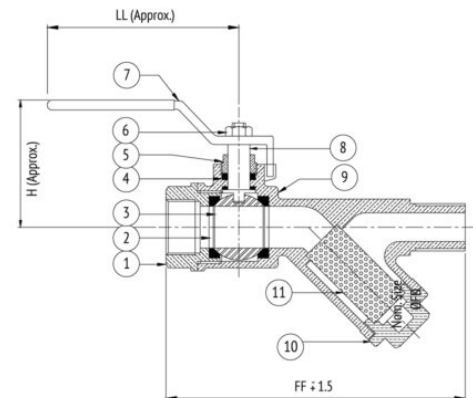


Suitability

Water, Steam, Oil, Air

Material Combination

S.No	Description	No.	Material
1	Body Connector	1	Bronze
2	Seat	2	PTFE
3	Ball	1	Stainless Steel
4	Gland Packing Ring	-	PTFE
5	Gland	1	Bronze
6	Lever Nut	1	Brass / Carbon Steel
7	Lever	1	Steel
8	Stem	1	Stainless Steel
9	Body	1	Bronze
10	Screen	1	Stainless Steel
11	Plug	1	Bronze



Dimensional Data

Size (mm)	FF	LL	H
15	131	94	60
20	144	130	67
25	194	137	72
32	198	152	72
40	214	170	87
50	248	195	105