

AV-222 Bronze Fusible Plug, Screwed Ends

Features

Body Material Cum Standard	Bronze (IBR 282 (a) (iv) Gr. B)
Product Description	Two Piece Design
End Details	Screwed Male BSP Taper Threads (BS-21)
Test Pressure	Body: 500 Psig (Hyd.)
Max. Working Pressure	250 Psig (Steam)
Max. Working Temperature	225°C

Notes

Test Certificate in Form III-C as per IBR is furnished with every supply.

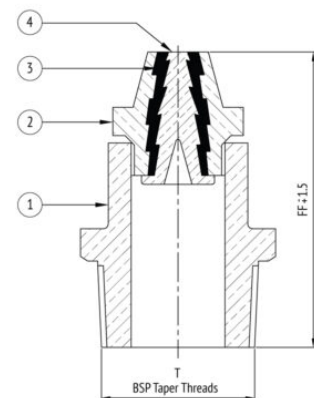
Suitability

Steam



Material Combination

S.No	Description	No.	Material
1	Body	1	Bronze
2	Cone	1	Bronze
3	Fusible Alloy	1	Pb. Sn. Alloy
4	Plug	1	Bronze



Dimensional Data

Size (mm)	FF	T
15	53	1/2"
20	63	3/4"
25	70	1"
32	83	1.1/4"
40	89	1.1/2"
50	100	2"