

AV-228 Bronze Vertical Non-Return Valve, Flanged Ends

Features

Body Material Cum Standard	Bronze (IBR 282 (a) (iv) Gr. B)
Product Description	Screwed in Cover, Guided Disc
Type of Seat	Renewable Seat
Type of Disc	Renewable Disc
Trim	13% Cr. (SS 410)
End Details	Flanged Ends as per BS-10 Table-H Flat Face (Undrilled)
Test Pressure	Body: 500 Psig (Hyd.)
Max. Working Pressure	250 Psig (Steam)
Max. Working Temperature	225°C

Notes

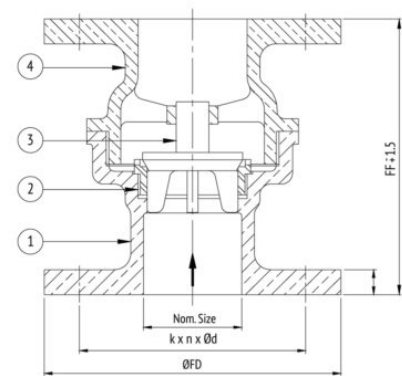
Test Certificate in Form III-C as per IBR is furnished with every supply.

Suitability

Water, Steam

Material Combination

S.No	Description	No.	Material
1	Inlet Body	1	Bronze
2	Body Seat Ring	1	Stainless Steel
3	Disc	1	Stainless Steel
4	Outlet Body	1	Bronze



k = P.C.D.
n = No. of holes
Ød = Diameter of holes

Dimensional Data

Size (mm)	FF	ØFD	FT	k	n	Ød
15	70	114.3	9.5	82.6	4	17.5
20	76	114.3	9.5	82.6	4	17.5
25	95	120.7	11.1	87.3	4	17.5
32	106	133.4	11.1	98.4	4	17.5
40	123	139.7	12.7	104.8	4	17.5
50	140	165.1	12.7	127	4	17.5