

AV-126 Bronze Globe Valve, Screwed Ends, Class-2

Features

Product Standard	IS-778
Testing Standard	IS-778
Pressure / Class Rating	Class-2
Body Material Cum Standard	Bronze (IS 318 Gr. LTB2)
Product Description	Screwed in Bonnet, Outside Screw & Yoke Type, Rising Stem, Handwheel Operated
Type of Seat	Integral Seat
Type of Disc	Renewable Disc
Trim	Cu-Alloy
End Details	Screwed Female Parallel Threads (IS:554)
Test Pressure	Body: 2.4 Mpa (Hyd.), Seat: 1.6 Mpa (Hyd.)
Max. Working Temperature	45°C

Notes

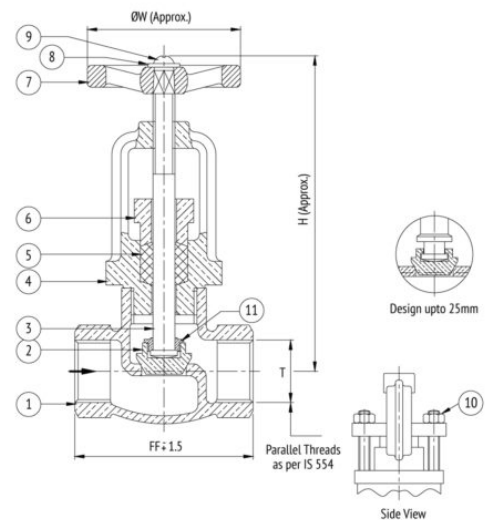
Other screwed end specifications can be provided on request.

Suitability

Water, Oil

Material Combination

S.No	Description	No.	Material
1	Body	1	Bronze
2	Disc	1	Bronze
3	Stem	1	H.T. Brass
4	Bonnet	1	Bronze
5	Packing	-	Graphited Asbestos
6	Gland Flange	1	Bronze
7	Handwheel	1	C.I. / C.S.
8	Washer	1	Carbon Steel
9	Screw	1	Carbon Steel
10	Studs & Nuts	2 Each	Carbon Steel
11	Check Nut	1	Bronze



Dimensional Data

Size (mm)	FF	H	ØW	ØFD
15	60	112	53	1/2"
20	70	127	58	3/4"
25	80	130	67	1"
32	95	142	79	1.1/4"
40	110	155	87	1.1/2"
50	125	170	98	2"
65	160	190	104	2.1/2"
80	180	210	140	3"
100	216	230	183	4"