

AV-269 Cast Iron Ball Float Steam Trap, Screwed Ends

Features

Body Material Cum Standard	Cast Iron (IBR 86 to 93 Gr. A)
Product Description	Horizontal Type
Trim	Stainless Steel (AISI 304)
End Details	Screwed Female BSP Parallel Threads (BS-21)
Test Pressure	Body: 300 Psig (Hyd.)
Max. Working Pressure	150 Psig (Steam)
Max. Working Temperature	220°C

Notes

Test Certificate in Form III-C as per IBR is furnished with every supply.

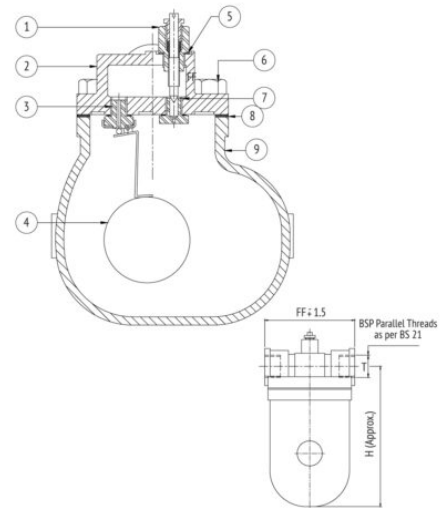
Suitability

Water, Steam, Oil



Material Combination

S.No	Description	No.	Material
1	SLR Assembly	1	Stainless Steel
2	Cover	1	Cast Iron
3	Seat Assembly	1	Stainless Steel
4	Ball Float	1	Stainless Steel
5	Washer	1	Copper
6	Bolts & Nuts	4 Each	Carbon Steel
7	Nipple	1	Stainless Steel
8	Gasket	1	C.A.F.
9	Body	1	Cast Iron



Dimensional Data

Size (mm)	FF	H	T
15	131	157	1/2"
20	131	162	3/4"
25	133	200	1"
40	272	250	1.1/2"
50	301	272	2"