

## AV-290A Cast Carbon Steel Swing Check Valve, Flanged Ends, Class-300

### Features

Product Standard	BS-1868
Testing Standard	API-598
Pressure / Class Rating	Class-300
Body Material Cum Standard	Cast Carbon Steel (ASTM A216 Gr. WCB)
Product Description	Bolted Cover
Type of Seat	Renewable Seat
Trim	13% Cr. (SS 410)
End Details	Flanged Ends as per ASME B16.5 Class-300 Raised Face (Drilled)
Test Pressure	Body: 77 Bar (Hyd.), Seat: 57 Bar (Hyd.), Seat: 7 Bar (Air)
Max. Working Temperature	425°C



### Notes

Test Certificate in Form III-C as per IBR is furnished with every supply.  
Other trim material combinations are available on request.

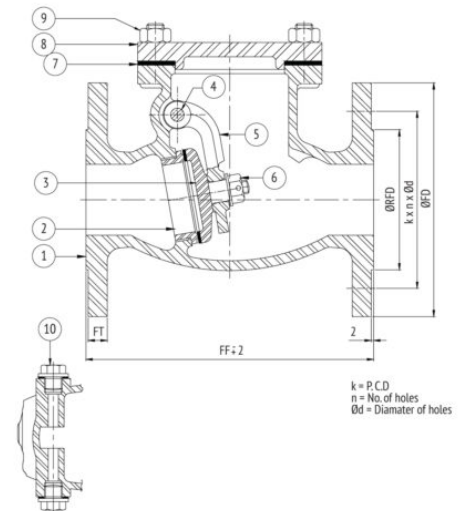
### Suitability

Water, Steam, Oil

### Material Combination

P.No.	Name of Part	Material	Specification
1	Body	C.C.S	ASTM A216 Gr. WCB
2	Body Seat Ring	S.S./ F.S.S./ C.C.S.	ASTM A276 TYPE 410/ ASTM A182 Gr. F6a/ ASTM A216 Gr. WCB + 13% Cr. Welded Deposit
3	Disc	C.C.S.	ASTM A216 Gr. WCB + 13% Cr. Welded Deposit
4	Hinge Pin	S.S.	ASTM A276 TYPE 410
5	Hinge	C.C.S.	ASTM A216 Gr. WCB
6	Nut	S.S.	-
7	Gasket	-	Spiral Wound S.S. 304 Graphoil Filler
8	Cover	C.C.S.	ASTM A216 Gr. WCB
9	Stud & Nuts	Alloy Steel/ H.T. Steel	ASTM A193 Gr. B7/ ASTM A194 Gr. 2H
10	Side Plug	S.S.	ASTM A276 TYPE 410

NOTE : 1. This item can be supplied in WC6, WC9 material also.



### Dimensional Data

Nominal Size (mm)	FF	ØRFD	ØFD	FT	K	n	Ød
40	241	73	155	19.1	114.3	4	7/8"
50	267	92.1	165	20.7	127	8	3/4"
65	292	104.8	190	23.9	149.2	8	7/8"
80	318	127	210	27	168.3	8	7/8"
100	356	157.2	255	30.2	200	8	7/8"
125	400	185.7	280	33.4	235	8	7/8"
150	444	215.9	320	35	269.9	12	7/8"
200	533	269.9	380	39.7	330.2	12	1"
250	622	323.8	445	46.1	387.4	16	1.1/8"
300	711	381	520	49.3	450.8	16	1.1/4"

k - P.C.D; n - Number of Holes; Ød - Diameter of Holes