

AV-113 Bronze Globe Valve, Flanged Ends, Class-2

Features

Product Standard	IS-778
Testing Standard	IS-778
Pressure / Class Rating	Class-2
Body Material Cum Standard	Bronze (IS 318 Gr. LTB2)
Product Description	Screwed in Bonnet, Inside Screw, Rising Stem, Handwheel Operated
Type of Seat	Integral Seat
Type of Disc	Renewable Disc
Trim	Cu-Alloy
End Details	Flanged Ends as per IS:778 Class-2 Flat Face (Undrilled)
Test Pressure	Body: 2.4 Mpa (Hyd.), Seat: 1.6 Mpa (Hyd.)
Max. Working Temperature	45°C

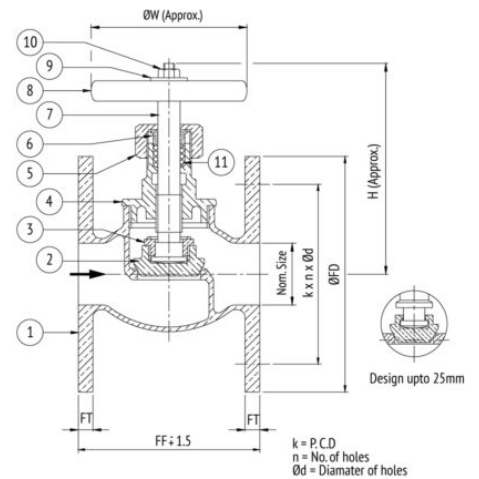
Suitability

Water, Oil



Material Combination

S.No	Description	No.	Material
1	Body	1	Bronze
2	Disc	1	Bronze
3	Disc Nut	1	Bronze
4	Bonnet	1	Bronze
5	Gland Nut	1	Bronze / Brass
6	Gland	1	Bronze
7	Stem	1	H.T. Brass
8	Handwheel	1	Cast Iron
9	Washer	1	Carbon Steel
10	Handwheel Nut	1	Carbon Steel
11	Packing	-	Asbestos



Dimensional Data

Size (mm)	FF	H	ØHW	ØFD	FT	k	n	Ød
15	75	95	53	95	6	65	4	14
20	85	100	58	105	6	75	4	14
25	95	105	67	115	8	85	4	14
32	110	130	79	140	8	100	4	18
40	120	135	87	150	9	110	4	18
50	145	160	98	165	11	125	4	18
65	165	175	104	185	13	145	4	18
80	185	215	140	200	13	160	8	18
100	216	260	183	220	16	180	8	18