

AV-12 Bronze Thermodynamic Steam Trap, Screwed Ends

Features

Body Material Cum Standard	Bronze (BS EN 1982 Gr. CC491K)
Product Description	Thermodynamic Type with Inbuilt Guided Strainer
End Details	Screwed Female BSP Parallel Threads (BS-21)
Test Pressure	500 Psig (Hyd.)
Max. Working Pressure	250 Psig (Steam)

Notes

Other screwed end specifications can be provided on request.

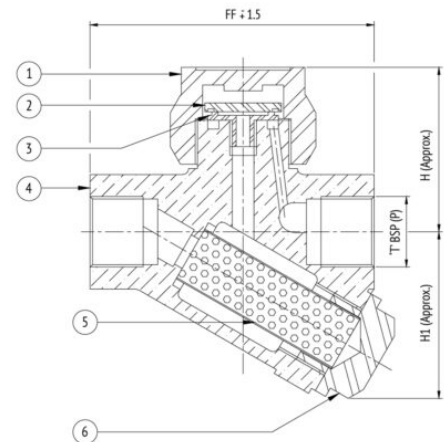
Suitability

Steam



Material Combination

S.No	Description	No.	Material
1	Top Nut	1	Stainless Steel
2	Disc	1	Stainless Steel
3	Seat	1	Stainless Steel
4	Body	1	Bronze
5	Screen	1	Stainless Steel
6	Cover	1	Stainless Steel



Dimensional Data

Size (mm)	FF	T	H	H1
15	83	1/2"	60	56
20	95	3/4"	60	62
25	117	1"	70	76
32	125	1.1/4"	82	92
40	125	1.1/2"	82	92
50	142	2"	98	114