

AV-14 Bronze Y-Type Strainer, Screwed Ends

Features

Body Material Cum Standard	Bronze (BS EN 1982 Gr. CC491K)
Product Description	Y-Type Strainer with Guided Screen
Trim	Stainless Steel (Type 304) Screen with 1mm Diameter Perforations
End Details	Screwed Female BSP Parallel Threads (BS-21)
Test Pressure	300 Psig (Hyd.)
Max. Working Pressure	150 Psig (Steam)

Notes

Other screwed end specifications can be provided on request.

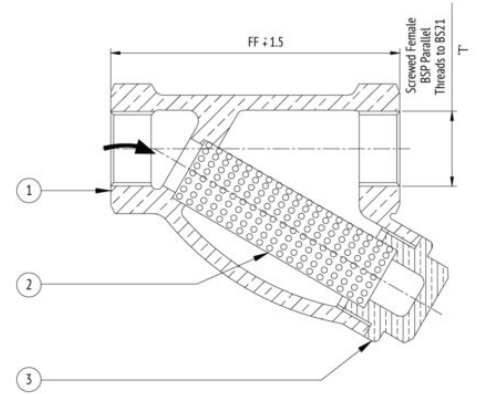
Suitability

Water, Steam, Oil, Air



Material Combination

S.No	Description	No.	Material
1	Body	1	Bronze
2	Screen	1	Stainless Steel
3	Cover	1	Bronze



Dimensional Data

Size (mm)	H	FF	T
15	56	72	1/2"
20	72	98	3/4"
25	80	116	1"
32	96	146	1.1/4"
40	105	166	1.1/2"
50	140	205	2"
65	182	241	2.1/2"