

AV-260 Cast Iron Vertical Inverted Bucket Type Steam Trap, Screwed Ends

Features

Body Material Cum Standard Product Description Trim	Cast Iron (IBR 86 to 93 Gr. A) with Renewable Stainless Steel Working Parts Valve & Ball Seat: 13% Cr. (SS 410) Bucket: Stainless Steel (Type 304)
End Details Test Pressure	Screwed Female BSP Parallel Threads (BS-21) Body: 300 Psig (Hyd.)
Max. Working Pressure	150 Psig (Steam)
Max. Working Temperature	220°C

Notes

Test Certificate in Form III-C as per IBR is furnished with every supply.

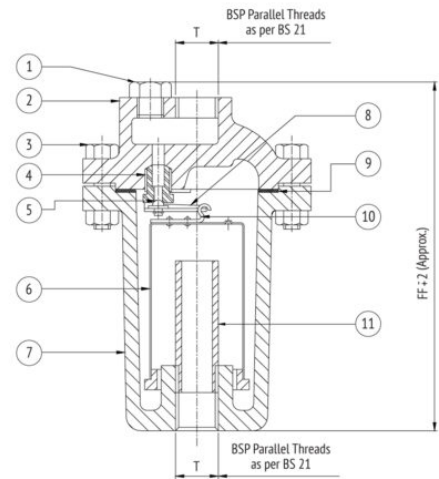
Suitability

Water, Steam



Material Combination

S.No	Description	No.	Material
1	Plug	1	Carbon Steel
2	Cover	1	Cast Iron
3	Bolts & Nuts	To Suit	Carbon Steel
4	Valve Seat	1	Stainless Steel
5	Ball Seat	1	Stainless Steel
6	Bucket	1	Stainless Steel
7	Body	1	Cast Iron
8	Valve Lever	1	Stainless Steel
9	Gasket	1	C.A.F.
10	Hook	1	Stainless Steel
11	Syphon Pipe	1	Carbon Steel



Dimensional Data

Size (mm)	FF	T
15	175	1/2"
20	210	3/4"
25	275	1"
32	395	1.1/4"
40	395	1.1/2"
50	452	2"